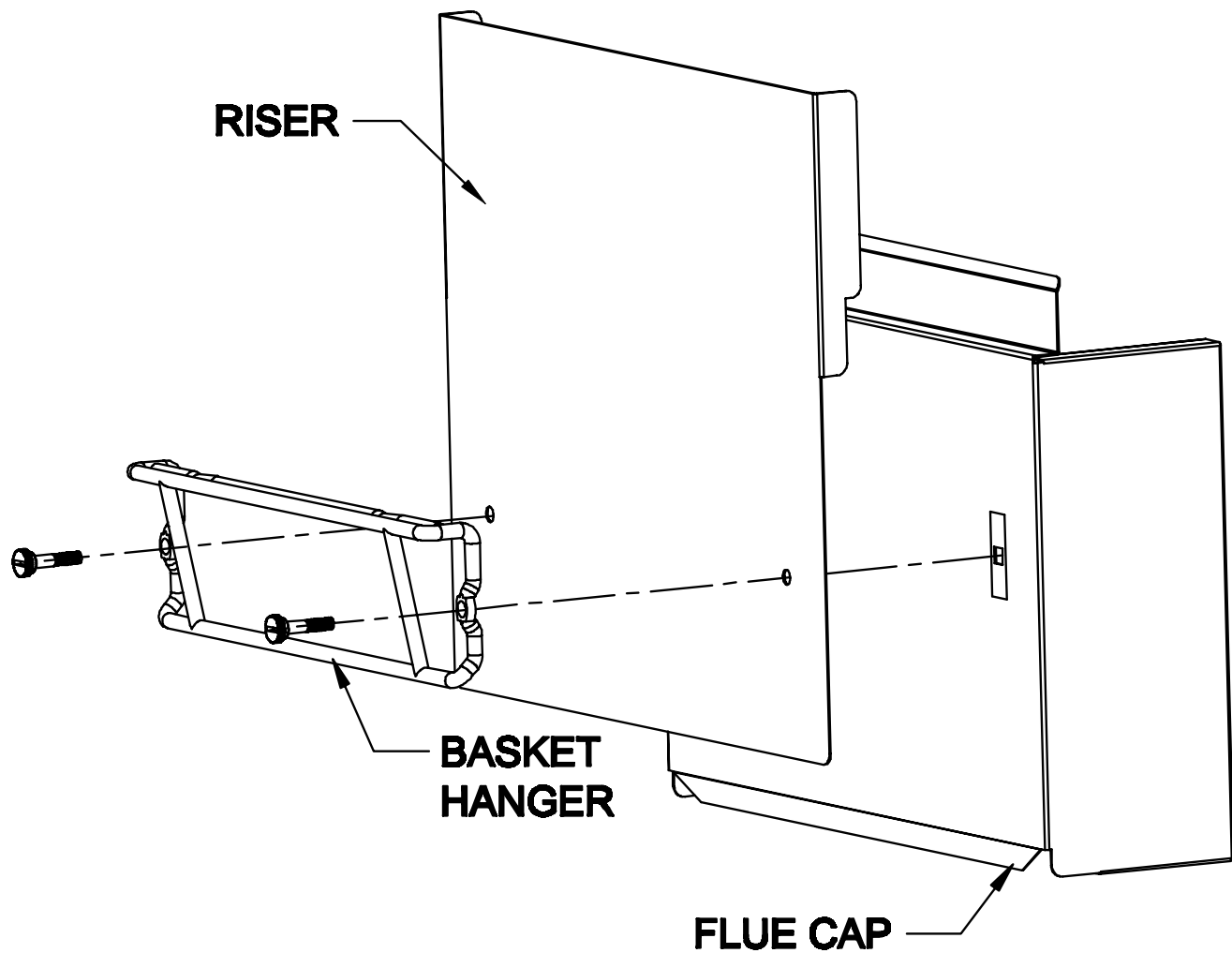


Riser Installation Instructions

For kits: 826-2626, 826-2627, 826-2628, 826-2629



1. Turn the fryer off and allow the flue cap to cool.
2. Remove all basket hangers.
3. Position riser on flue cap with holes aligned.
4. Reinstall basket hangers.